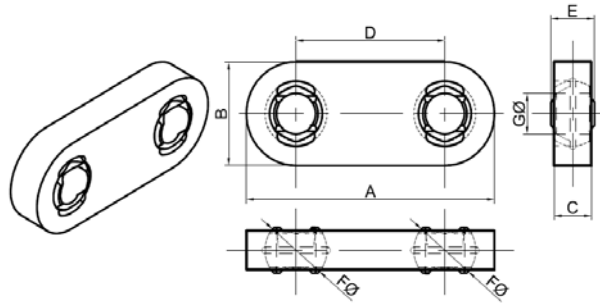




KEYTE SELF-ALIGNING BEARINGS

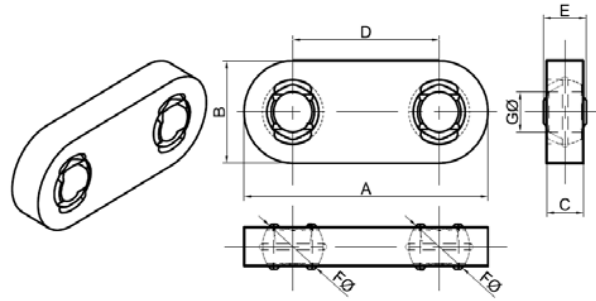


IMPERIAL PIN-SIZE - 'G'

Part-Number	ALL DIMENSIONS IN mm							Max Angle
	A	B	C	D	E	F	G	+/- deg
KG 127 0105 050	143.10	38.10	14.29	105.0	14.22	25.40	12.70	
KG 127 0105 062	143.10	38.10	14.29	105.0	17.41	25.40	15.88	9.0
KG 128 0063 075	114.30	50.80	19.05	63.5	22.23	31.75	19.05	7.6
KG 128 0076 075	127.00	50.80	19.05	76.2	22.23	31.75	19.05	7.6
KG 128 0110 075	160.80	50.80	19.05	110.0	22.23	31.75	19.05	7.6
KG 128 0130 075	180.80	50.80	19.05	130.0	22.23	31.75	19.05	7.6
KG 128 0150 075	200.80	50.80	19.05	150.0	22.23	31.75	19.05	7.6
KG 128 0250 075	300.80	50.80	19.05	250.0	22.23	31.75	19.05	7.6
KG 128 0285 075	335.80	50.80	19.05	285.0	22.23	31.75	19.05	7.6
KG 128 0410 075	460.80	50.80	19.05	410.0	22.23	31.75	19.05	7.6
KG 119 0075 075	151.20	76.20	25.40	75.0	31.75	44.45	19.05	10.7
KG 119 0075 100	151.20	76.20	25.40	75.0	31.75	44.45	25.40	10.7
KG 119 0075 112	151.20	76.20	25.40	75.0	31.75	44.45	28.58	10.7
KG 119 0160 075	236.20	76.20	25.40	160.0	31.75	44.45	19.05	10.7
KG 119 0160 100	236.20	76.20	25.40	160.0	31.75	44.45	25.40	10.7
KG 119 0160 112	236.20	76.20	25.40	160.0	31.75	44.45	28.58	10.7
KG 119 0200 075	276.20	76.20	25.40	200.0	31.75	44.45	19.05	10.7
KG 119 0200 100	276.20	76.20	25.40	200.0	31.75	44.45	25.40	10.7
KG 119 0200 112	276.20	76.20	25.40	200.0	31.75	44.45	28.58	10.7
KG 119 0226 075	302.20	76.20	25.40	226.0	31.75	44.45	19.05	10.7
KG 119 0226 100	302.20	76.20	25.40	226.0	31.75	44.45	25.40	10.7
KG 119 0226 112	302.20	76.20	25.40	226.0	31.75	44.45	28.58	10.7
KG 119 0240 075	316.20	76.20	25.40	240.0	31.75	44.45	19.05	10.7
KG 119 0240 100	316.20	76.20	25.40	240.0	31.75	44.45	25.40	10.7
KG 119 0240 112	316.20	76.20	25.40	240.0	31.75	44.45	28.58	10.7
KG 119 0300 075	376.20	76.20	25.40	300.0	31.75	44.45	19.05	10.7
KG 119 0300 100	376.20	76.20	25.40	300.0	31.75	44.45	25.40	10.7
KG 119 0300 112	376.20	76.20	25.40	300.0	31.75	44.45	28.58	10.7



KEYTE SELF-ALIGNING BEARINGS



IMPERIAL PIN-SIZE - 'G'								
Part-Number	ALL DIMENSIONS IN mm							Max Angle
	A	B	C	D	E	F	G	+/- deg
KG 122 0080 112	181.60	101.60	28.58	80.0	38.10	53.98	28.58	12.9
KG 122 0080 125	181.60	101.60	28.58	80.0	38.10	53.98	31.75	12.9
KG 122 0120 112	221.60	101.60	28.58	120.0	38.10	53.98	28.58	12.9
KG 122 0120 125	221.60	101.60	28.58	120.0	38.10	53.98	31.75	12.9
KG 122 0150 112	251.60	101.60	28.58	150.0	38.10	53.98	28.58	12.9
KG 122 0150 125	251.60	101.60	28.58	150.0	38.10	53.98	31.75	12.9
KG 122 0240 112	341.60	101.60	28.58	240.0	38.10	53.98	28.58	12.9
KG 122 0240 125	341.60	101.60	28.58	240.0	38.10	53.98	31.75	12.9
KG 122 0260 112	361.60	101.60	28.58	260.0	38.10	53.98	28.58	12.9
KG 122 0260 125	361.60	101.60	28.58	260.0	38.10	53.98	31.75	12.9
KG 122 0300 112	401.60	101.60	28.58	300.0	38.10	53.98	28.58	12.9
KG 122 0300 125	401.60	101.60	28.58	300.0	38.10	53.98	31.75	12.9
KG 122 0315 112	416.60	101.60	28.58	315.0	38.10	53.98	28.58	12.9
KG 122 0315 125	416.60	101.60	28.58	315.0	38.10	53.98	31.75	12.9
KG 122 0340 112	441.60	101.60	28.58	340.0	38.10	53.98	28.58	12.9
KG 122 0340 125	441.60	101.60	28.58	340.0	38.10	53.98	31.75	12.9
KG 122 0370 112	471.60	101.60	28.58	370.0	38.10	53.98	28.58	12.9
KG 122 0370 125	471.60	101.60	28.58	370.0	38.10	53.98	31.75	12.9
KG 123 0200 125	371.45	171.45	31.75	200.0	41.28	63.50	31.75	10.5
KG 123 0200 150	371.45	171.45	31.75	200.0	41.28	63.50	38.10	10.5
KG 123 0203 125	374.45	171.45	31.75	203.0	41.28	63.50	31.75	10.5
KG 123 0203 150	374.45	171.45	31.75	203.0	41.28	63.50	38.10	10.5
KG 123 0310 125	481.45	171.45	31.75	310.0	41.28	63.50	31.75	10.5
KG 123 0310 150	481.45	171.45	31.75	310.0	41.28	63.50	38.10	10.5