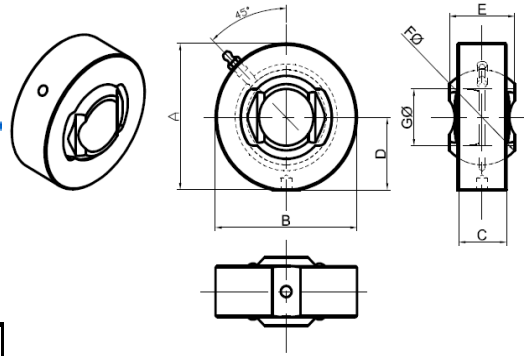




KEYTE SELF-ALIGNING BEARINGS



IMPERIAL PIN-SIZE - 'G'

Part-Number	ALL DIMENSIONS IN INCHES (UNLESS STATED OTHERWISE)							Max Angle
	A	B	C	D	E	F	G	+/- deg
KR 175 250 075	2.46	2.50	1.000	1.21	1.250	1.75	0.750	10.7
KR 175 250 100	2.46	2.50	1.000	1.21	1.250	1.75	1.000	10.7
KR 175 250 112	2.46	2.50	1.000	1.21	1.250	1.75	1.125	10.7
KR 175 300 075	3.27	3.00	1.000	1.45	1.250	1.75	0.750	10.7
KR 175 300 100	3.27	3.00	1.000	1.45	1.250	1.75	1.000	10.7
KR 175 300 112	3.27	3.00	1.000	1.45	1.250	1.75	1.125	10.7
KR 212 325 112	3.22	3.25	1.125	1.59	1.500	2.13	1.125	12.9
KR 212 325 125	3.22	3.25	1.125	1.59	1.500	2.13	1.250	12.9