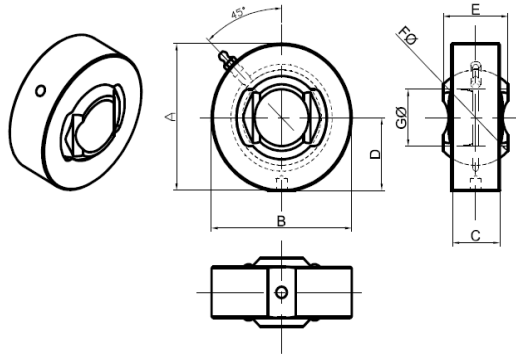




KEYTE SELF-ALIGNING BEARINGS



METRIC PIN-SIZE - 'G'

Part-Number	ALL DIMENSIONS IN INCHES (UNLESS STATED OTHERWISE)							Max Angle
	A	B	C	D	E	F	G/mm	+/- deg
KR 175 250 M 22A	2.46	2.50	1.000	1.21	28mm	1.75	22	4.1
KR 175 250 M 024	2.46	2.50	1.000	1.21	1.250	1.75	24	10.7
KR 175 250 M 025	2.46	2.50	1.000	1.21	1.250	1.75	25	10.7
KR 175 300 M 22A	3.27	3.00	1.000	1.45	28mm	1.75	22	4.1
KR 175 300 M 024	3.27	3.00	1.000	1.45	1.250	1.75	24	10.7
KR 175 300 M 025	3.27	3.00	1.000	1.45	1.250	1.75	25	10.7
KR 212 325 M 030	3.40	3.25	1.125	1.59	1.500	2.13	30	12.9
KR 212 325 M 032	3.40	3.25	1.125	1.59	1.500	2.13	32	12.9