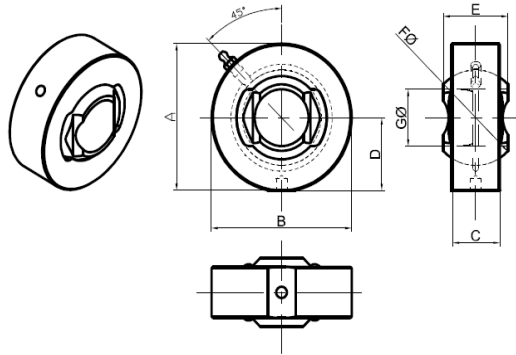




KEYTE SELF-ALIGNING BEARINGS



METRIC PIN-SIZE - 'G'

Part-Number	ALL DIMENSIONS IN mm							Max Angle
	A	B	C	D	E	F	G/mm	+/- deg
KR 175 250 M 22A	62.48	63.50	25.40	30.73	28.00	44.45	22	4.2
KR 175 250 M 024	62.48	63.50	25.40	30.73	31.75	44.45	24	10.7
KR 175 250 M 025	62.48	63.50	25.40	30.73	31.75	44.45	25	10.7
KR 175 300 M 22A	83.10	76.20	25.40	36.83	28.00	44.45	22	4.2
KR 175 300 M 024	83.10	76.20	25.40	36.83	31.75	44.45	24	10.7
KR 175 300 M 025	83.10	76.20	25.40	36.83	31.75	44.45	25	10.7
KR 212 325 M 030	86.28	82.55	28.58	40.39	38.10	53.98	30	12.9
KR 212 325 M 032	86.28	82.55	28.58	40.39	38.10	53.98	32	12.9